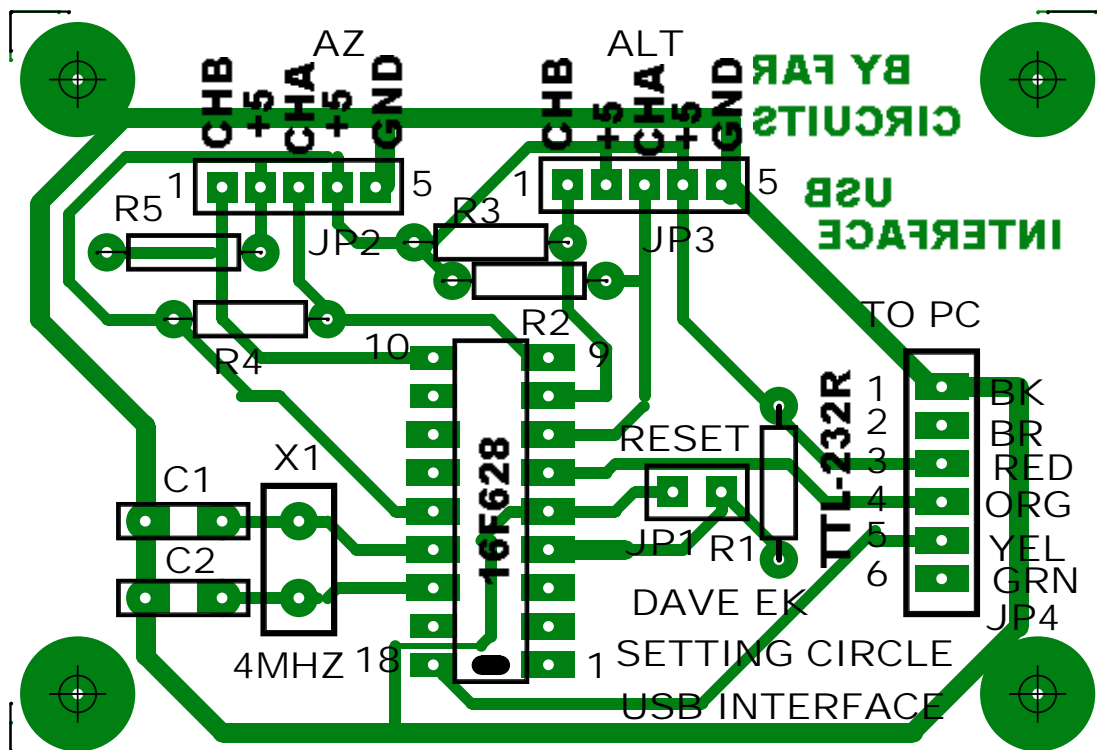


DAVE EK CIRCLE SETTING KIT
BY FAR CIRCUITS
WWW.FARCIRCUITS.NET

KIT PRICE \$20.00



BOARD SIZE 2" BY 2.9"

KIT INCLUDES

C1 C2 22P CAPACITORS

X1 4 MHZ CRYSTAL

PROGRAMMED 16F628

R1, R2, R3, R4, R5 10K RESISTORS

JP1, JP2, JP3, JP4 BIRD PINS

PC BOARD

requires FTDI TTL-232R-5V CABLE