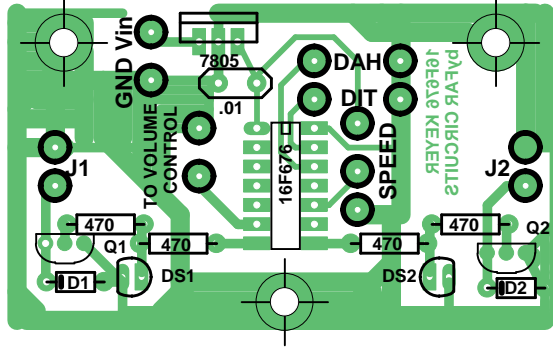


# 16F676 KEYER published in "Beginning programming with PIC chips"

D1 AND D2 1N914N OR 1N4148  
Q1 Q2 2N3904



P C BOARD ONLY \$5.00

PROGRAMMED PIC \$10.00

COMPLETE KIT WITH PROGRAMMED PIC  
AND P C BOARD AND ALL THE PARTS. \$20.00