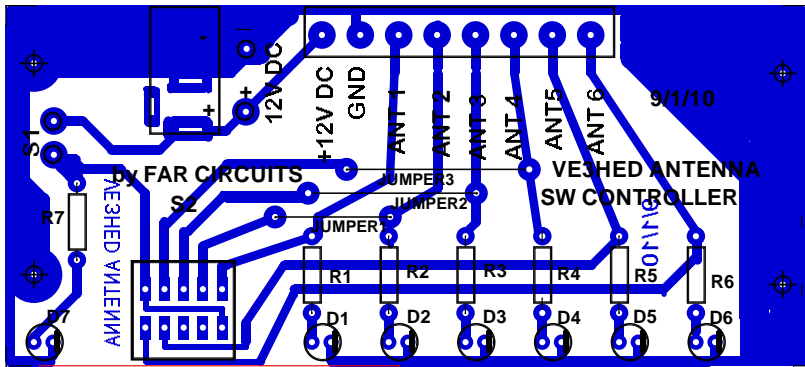


6 POSITION ANTENNA SWITCH CONTROLLER



BOARD SIZE 4.5" BY 2.1" ITEMS IN RED INDICATE INCLUDED IN THE KIT
 PARTS LIST KIT PRICE \$34.00

- POWER CONNECTOR KOBICONN 2.1X5.5MM163-7620E
- TERMINAL STRIP PHOENIX MKDSN 1.5-8
- ROTARY SWITCH SR10010F-0106
- KNOB FOR ROTARY SWITCH TYCO PKES604B1/4 AS SHOWN IN PIC
- LED'S SSF-LXH104GD GREEN 7 SUPPLIES
- RESISTORS 1K 1/4 W KOZA CFS1/4C102J
- POWER SWITCH S1 YOUR CHOICE
 APEM ROCKER SW AS SHOWN IN PICTURE
 APEM FMC12A220 ROCKER SW
- KIT INCLUDES A TOGGLE SWITCH
- POWER TRANSFORMER 12VC OUTPUT XICON 412-112051
- ENCLOSURE HAMMOND ENCLOSURE 546-1591XXD5FFLBK
- PC BOARD

