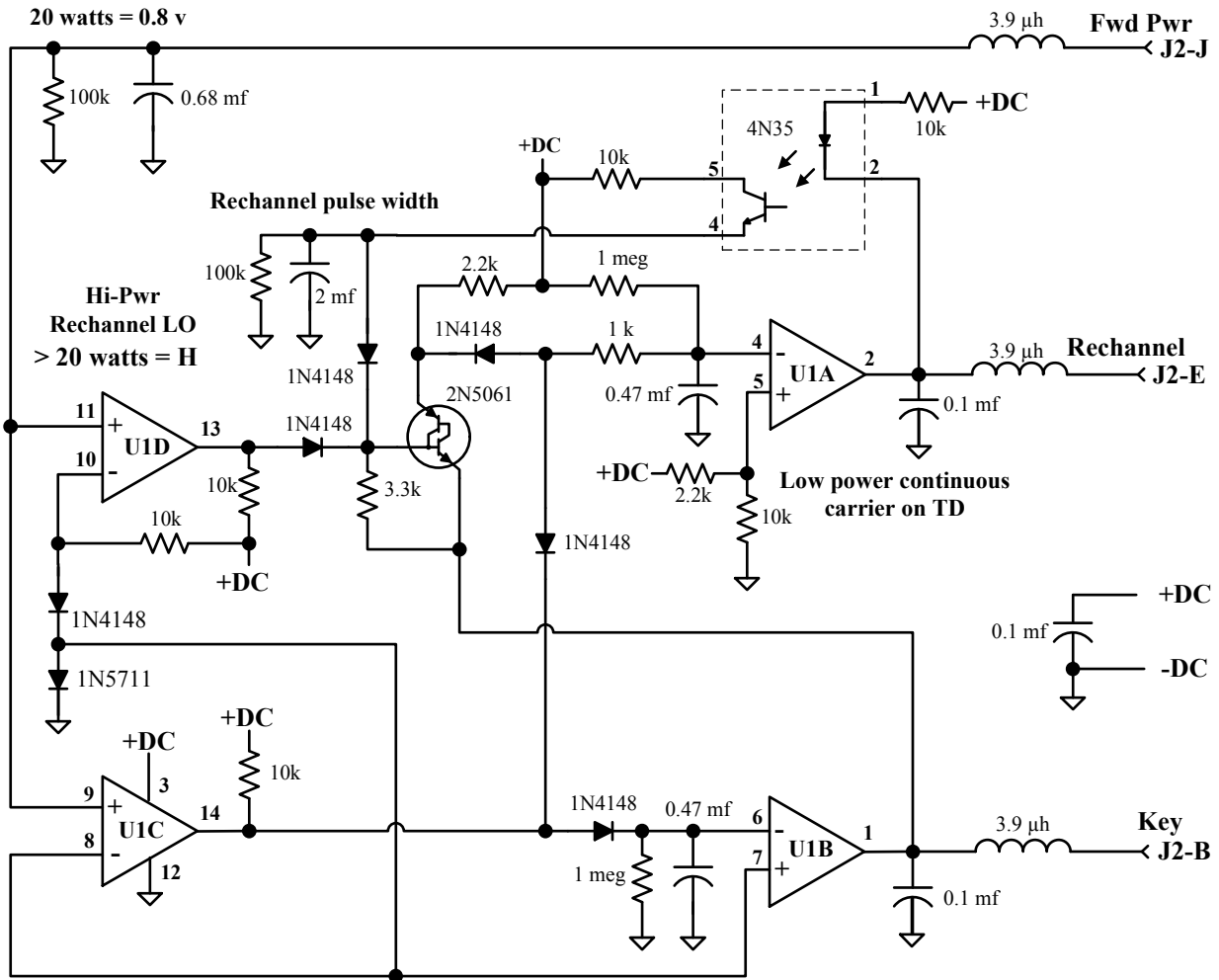
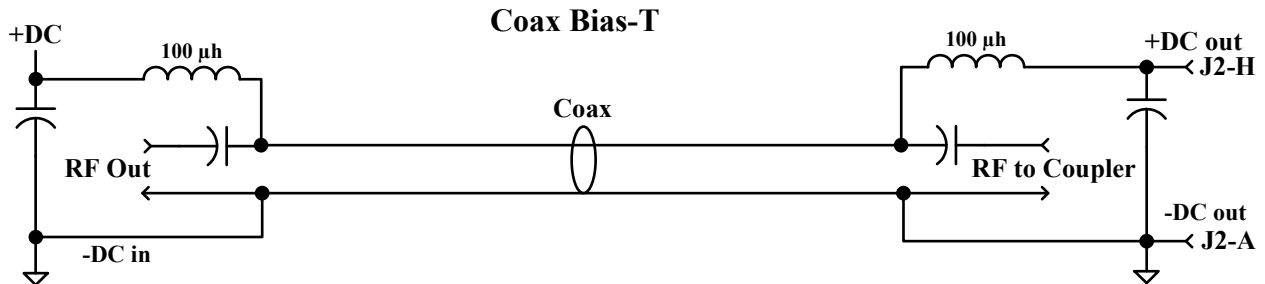


RF Activated Local Control ReChannel with High Power Lockout

RF det. keys Key line. Interface automatically asserts Rechannel when RF power less than 30 watts and on continuously for about 1 second. In the RF-382A move Jumper block to J3 and set A1A3S2 to all switches "Closed" per RF-350 config. Flip Compatibility Label at J1 to show A3S2 SW2 closed, if not already done.

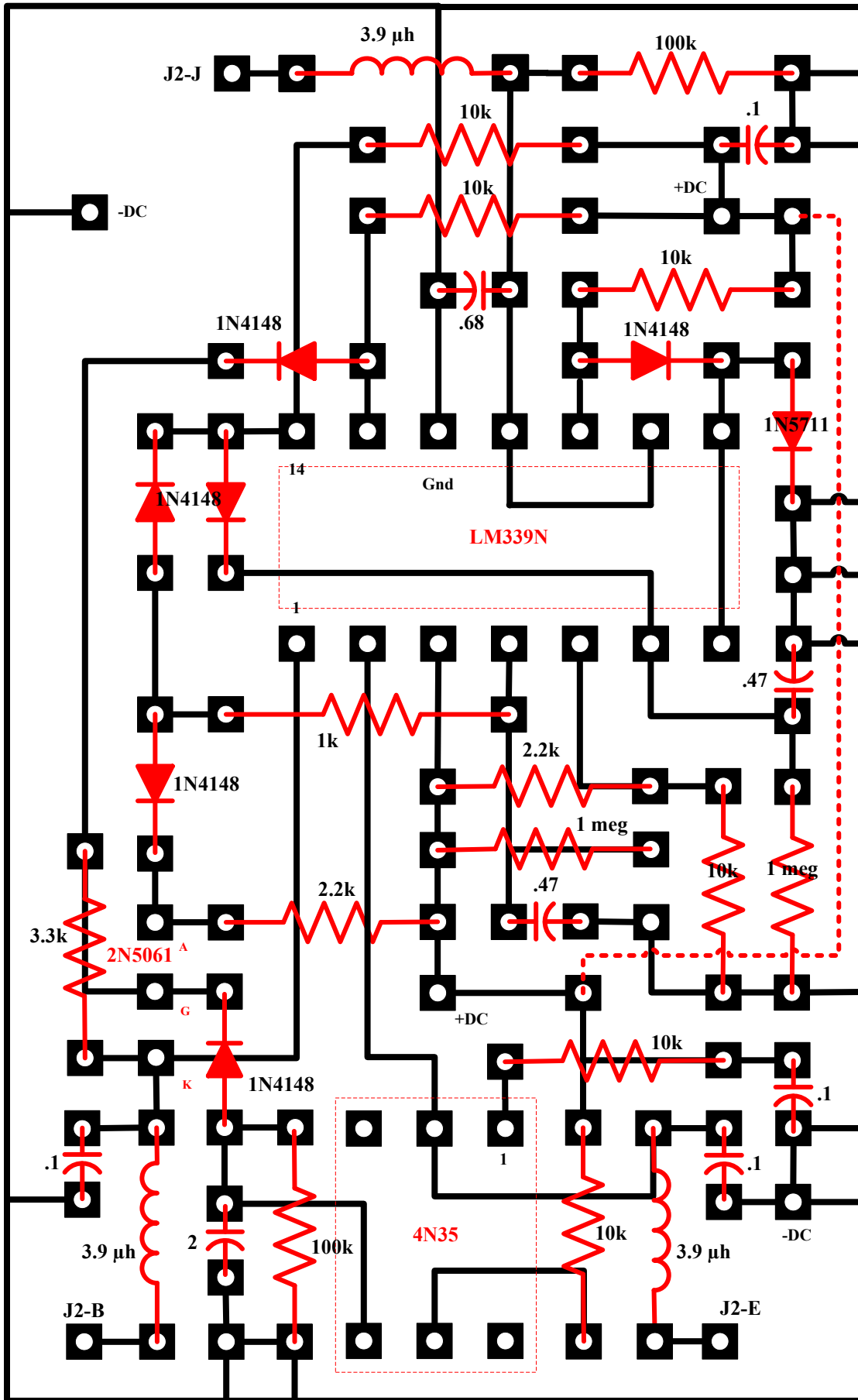


U1: LM339N



For Bias-T information see:

<http://www.ad5x.com/images/Articles/BiasT3amp.pdf>



Single sided PCB top view