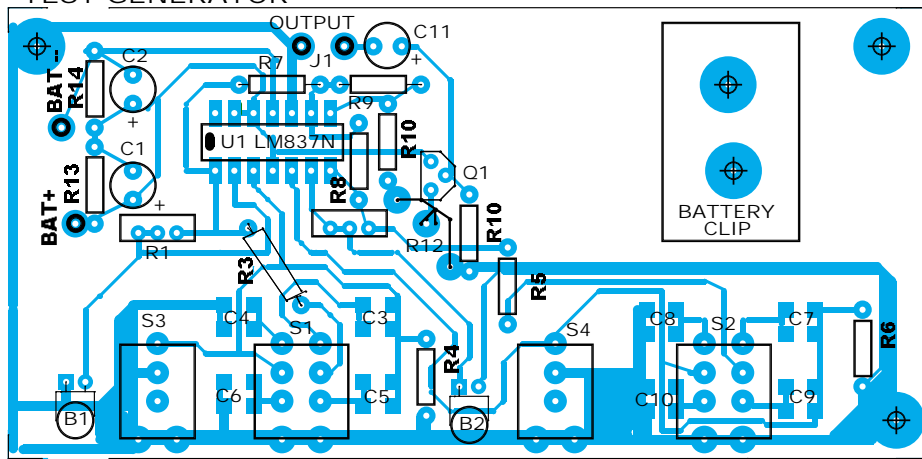


QST NOV 2011  
FOUR TONE SSB  
TEST GENERATOR

DPDT 108-1AD1T1710-EVX  
SPDT 109-2AD1T1718-EVX  
R1 R2 500 OHM 10 TURN 858-68500-LF



BOARD SIZE 4.9" X 2.9"

KIT INCLUDES

- |                                   |                         |
|-----------------------------------|-------------------------|
| C1, C2 100uF CAPS                 | R3, R4, R5, R6 100K 1/4 |
| C3, C3 2 EA 4700P, 820P CHIP CAPS | R7, R8 4.7K 1/4 W       |
| C5, C6 2 EA. 220P 150P CHIPS      | R9 1.5K 1/4 W           |
| C7, C8 2 EACH 820IP CHIPS         | R11 680 1/4 W           |
| C9, C10 2 EA. 470P 120P CHIPS     | U1 LM423 OP AMP         |
| C11 10uF                          | P C BOARD               |
| Q1 MPF102                         | BATTERY CLIP 12BH079-GR |

MINI KIT \$15.00

ALL CAPS ARE 5%  
ALL RESISTORS ARE 5%