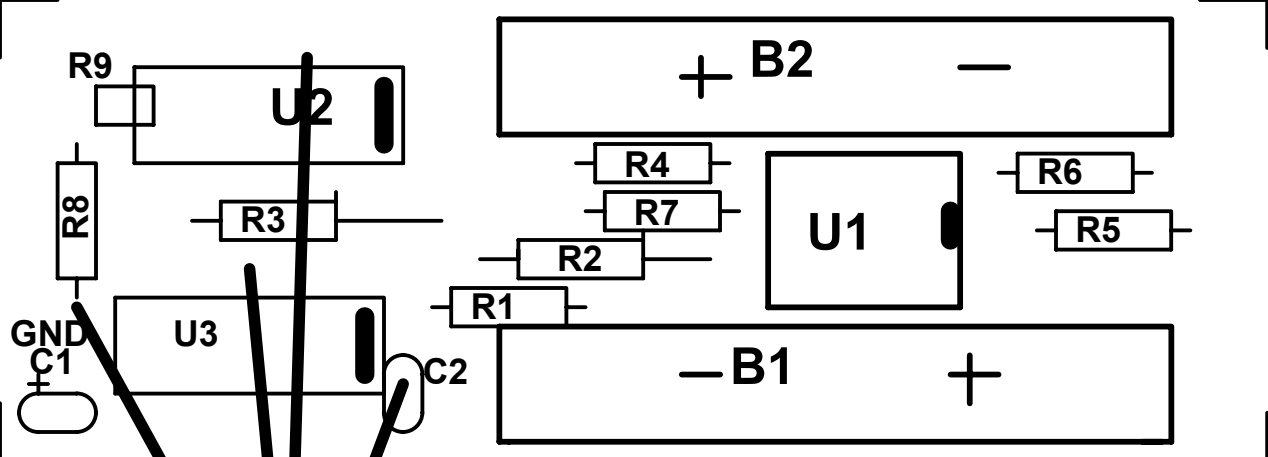


insert eyelets here (4 places

- Solder top rim of eyelet
- Set eyelet with a small center punch or a nail
- Insert parts



insert eyelets here (4 places

Solder top rim of eyelet

Set eyelet with a small center punch or a nail

Insert parts