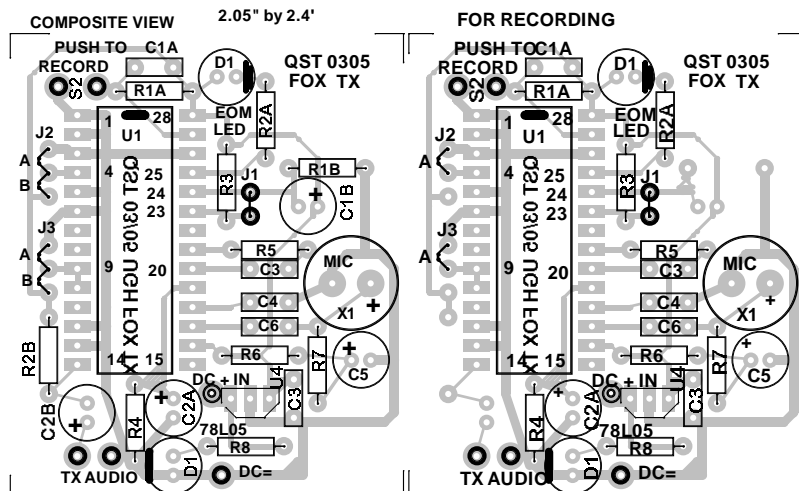


QST MARCH '05 UHF FOX TRANSMITTER



C1A, C2A, C3, C4, C6, J1, J2A, J3A, R1A, R2A, R4, R5, R6, ARE ONLY USED FOR RECORDING VOICE MESSAGE AND REMOVED WHEN USED AS TRANSMITTER

INSTALL C1B, C2B, J2B, J3B, R1B, R2B FOR THE TRANSMITTER AND REMOVE WHEN RECORDING A MESSAGE

