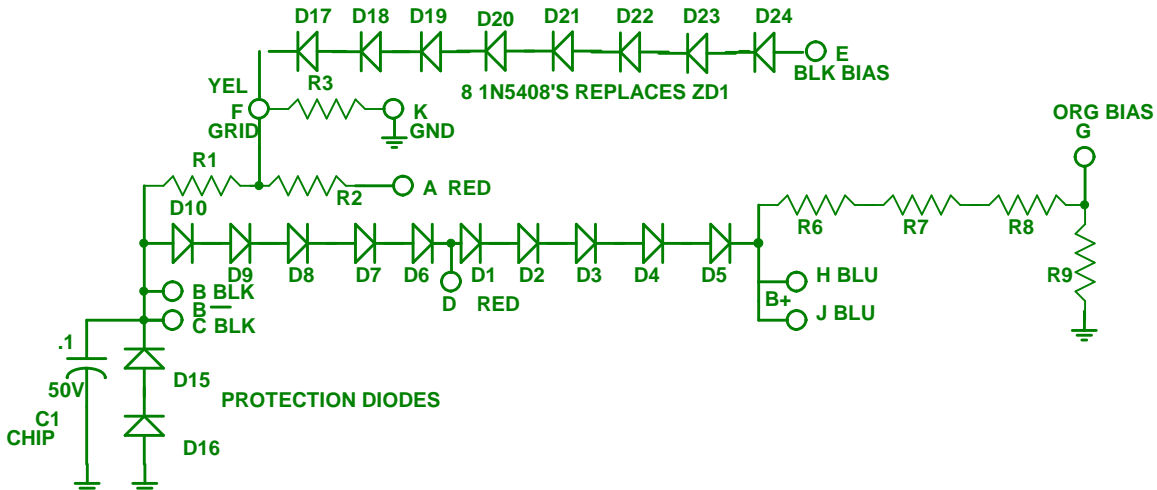


ALL DIODES ARE 1N5408 1K 3A DIODES



Note: two diodes 1N4001 back to back with a .01 uF 50 v cap across the meters

R1 1 ohm 5w WW 71-RS5-1.0 OR PAC500001008FAC000

R2 5.6K OHM 5W WW PPC5D5.6KCT

R3 .82 OHM 3W WW NS02BR8200FE12

R4 NOT ON THIS BOARD

R6, 7, 8 4.7M 2W WW

R9 3600 1/2 W MO

ALL DIODES ARE 1N5408