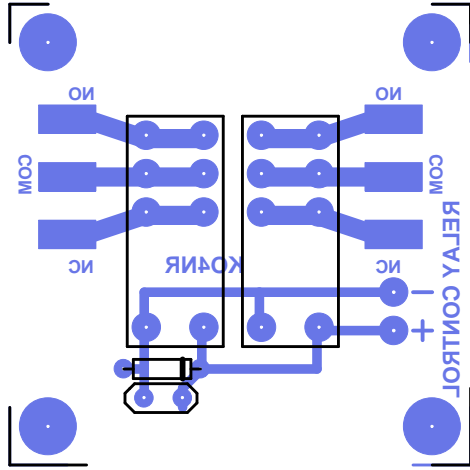


**KO4NR BILL SMITH AMP RELAY BOARD  
USING THE AMERICAL ZETTER RELAY AZ755-1C-12DE OR SIMILAR  
16A @ 240 VAC OR 20 A @ 24VDC \$4.50 per board**



**DIODE 1N4002  
CAPACOTOR .1uF >50VDC**