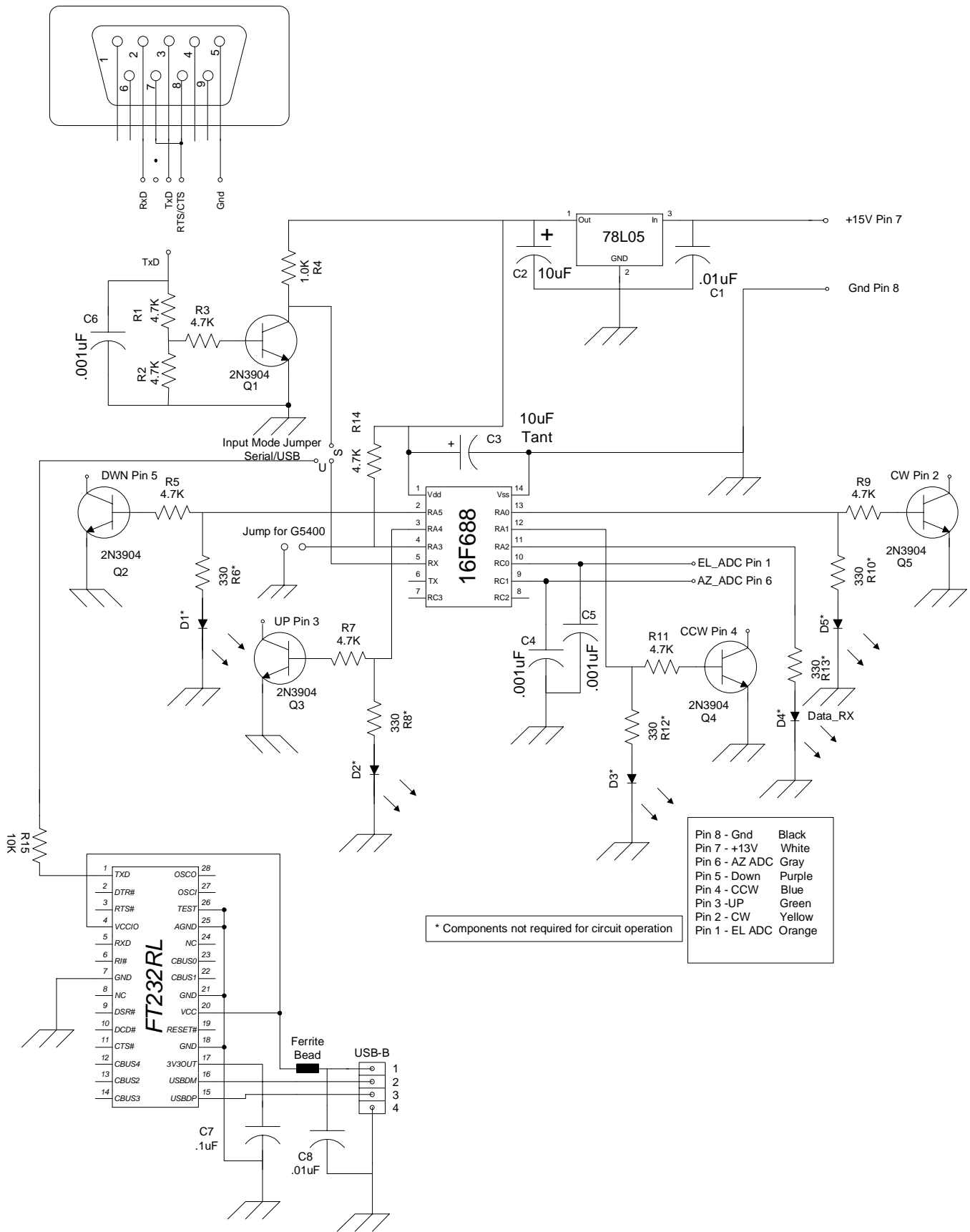


Satellite Tracker Interface Using PIC16F688
 for
Yaesu G-5500 or G5400 and NOVA or SatPC32
Figure 1



Pin 8 - Gnd	Black
Pin 7 - +13V	White
Pin 6 - AZ ADC	Gray
Pin 5 - Down	Purple
Pin 4 - CCW	Blue
Pin 3 - UP	Green
Pin 2 - CW	Yellow
Pin 1 - EL ADC	Orange

* Components not required for circuit operation