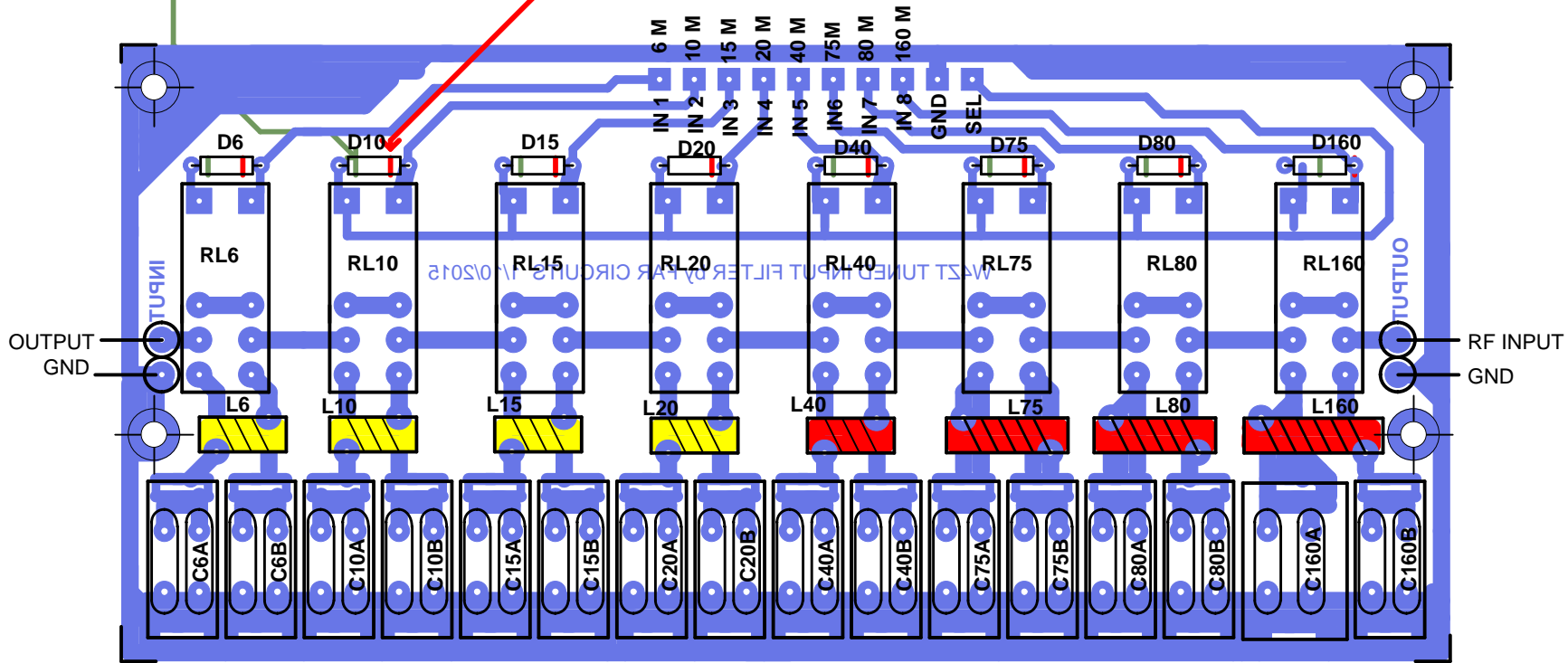


**W4ZT TUNED INPUT FILTER 8 POSITION WITH 6 THROUGH 160 METERS
by FAR CIRCUITS.**

USE GREEN END FOR CATHODE FOR PULL DOWN RELAY ACTIVATION
USE RED END FOR CATHODE FOR PULL UP RELAY ACTIVATION



THE BOARD IS LAYOUT FOR COMPRESSION TRIMMER CAPACITORS
OR DISC CAPACITORS

RELAYS ARE FTR-1CA012V OR G2R-24-DC12 5A @250 VAC
CONTACT RATING.

FOR NEG (PULL DOWN) RELAY ACTIVATION, TIE SEL TO +12VDC

FOR POSITIVE (PULL UP) RELAY ACTIVATION, TIE SEL TO GND

NOTE DIODE POLARITY IS DIFFERENT FOR PULL UP OR PULL DOWN
RELAY ACTIVATION

BOARD SIZE 3.5" BY 8.65"

THE BAND NOTATION IS ONLY A SUGGESTION DIFFERENT
BAND PASS FILTER FREQUENCIES MAY BE CALCULATED
AND USED

ALL DIODES ARE 1N4002'S