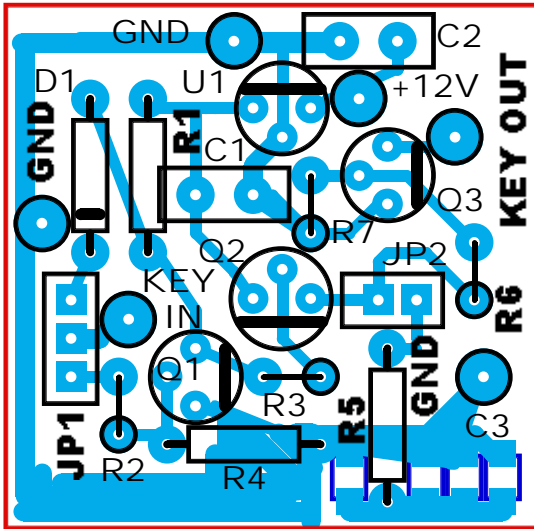


QST NOV. 2011 INTERNAL FULL BREAK-IN KEYING  
INTERFACE FOR THE ALS-600 AMPLIFIER



OFFERED BY FAR CIRCUITS  
[WWW.FARCIRCUITS.NET](http://WWW.FARCIRCUITS.NET)

(4) .1 uF CHIP CAPS  
FOR SETTING THE BREAK IN TIMING

SIZE 1.4" BY 1.4"

FULL KIT INCLUDES

C1,C2 .1 CHIP CAPS

C3 (4) .1 CHIP CAPS

D1 1N4001 DIODE

JP1 THREE PIN HEADER

JP2 TWO PIN HEADER

Q1 2N3904

Q2 2N3906

Q3 MPSA06

R1 THRU R7 4.7 K 1/4 W

U1 78L08

JUMPER FOR HEADER JP1 AND JP2

P C BOARD

KIT PRICE \$12.00